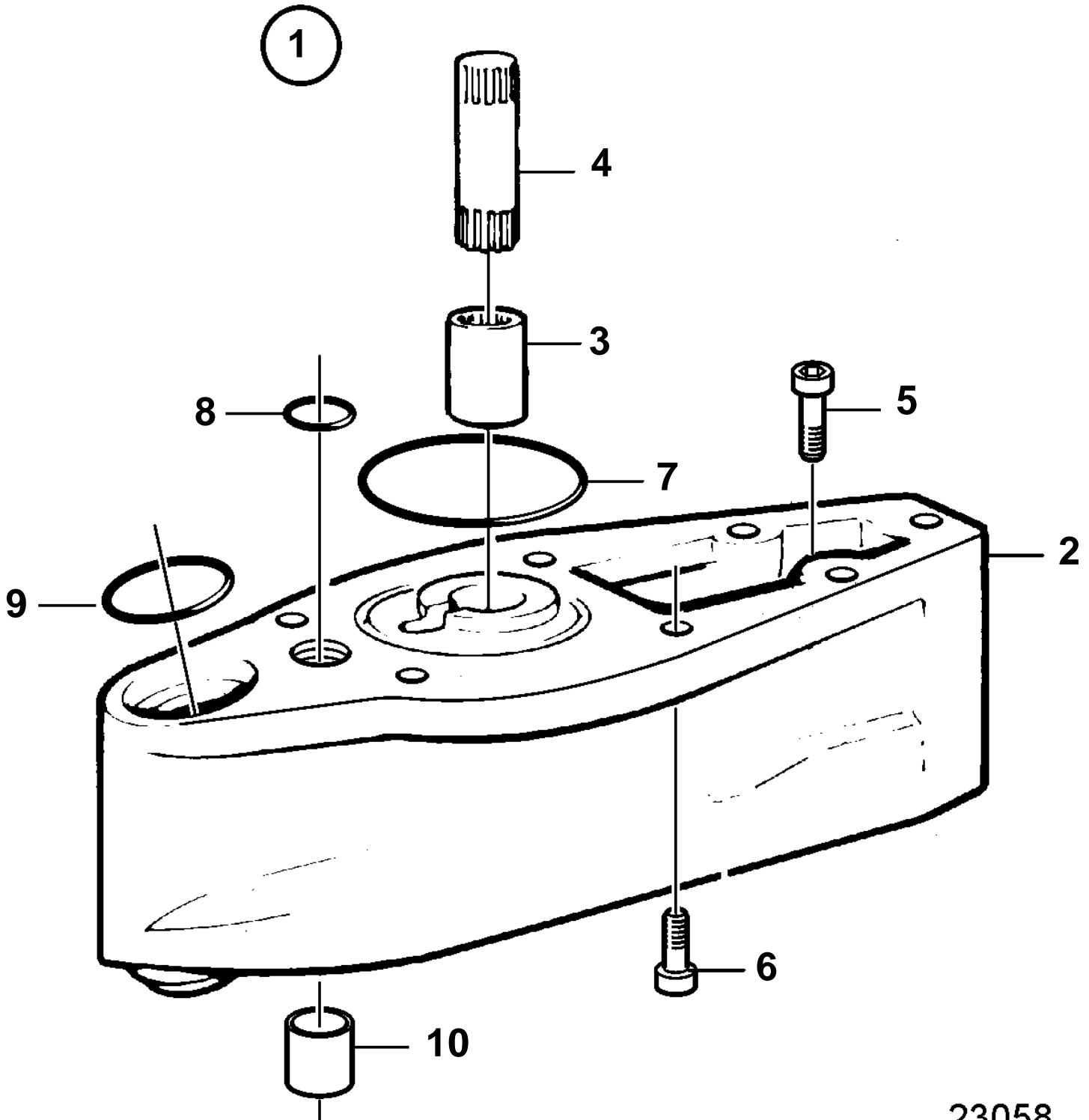


AD31P-A, AD31L-A, TAM31L-A, TAM31M-A, TAM31S-A, TMD31L-A, D41L-A, AD41P-A, AD41L-A, TAM41P-A, TAM41L-A, TAM41M-A, TAM41H-A, TAM41H-B, TMD41L-A



23058

AD31P-A, AD31L-A, TAM31L-A, TAM31M-A, TAM31S-A, TMD31L-A, D41L-A, AD41P-A, AD41L-A, TAM41P-A, TAM41L-A, TAM41M-A, TAM41H-A, TAM41H-B, TMD41L-A

REF	PART NO.	QTY	DESCRIPTION
1	872090	1	Extension kit
2		1	· Intermediate section
3	872128	1	· Splined sleeve
4	872087	1	· Extension shaft
5	941809	3	· Screw
6	941810	4	· Screw
7	925256	1	· O-ring
8	125017	1	· O-ring
9	941820	1	· O-ring
10	897823	1	· Tube